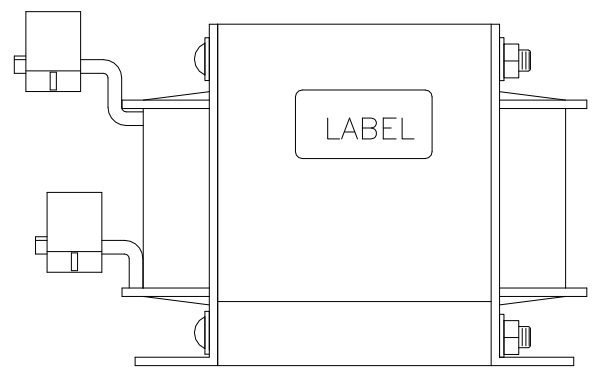
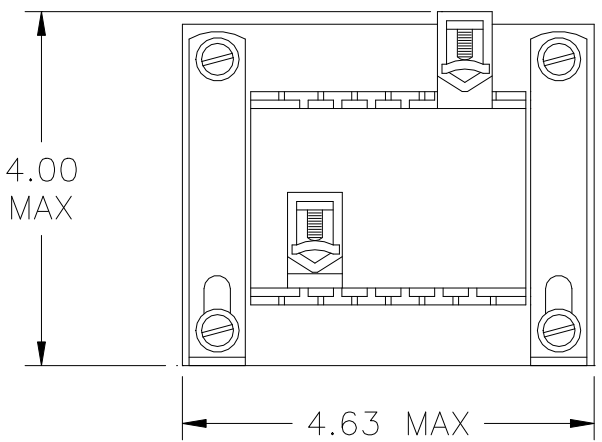
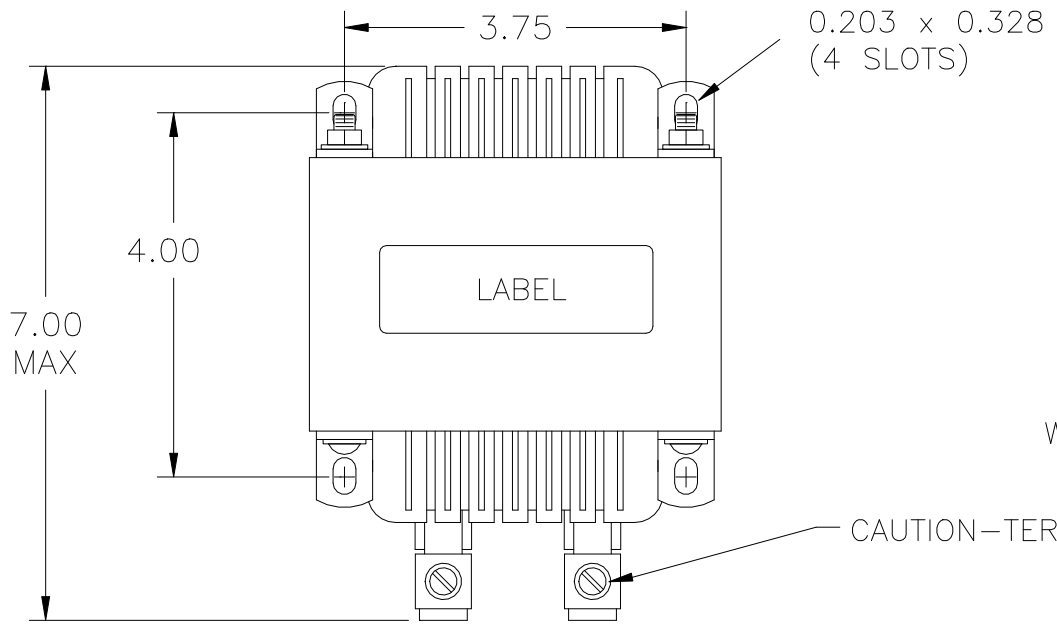


INDUCTANCE	LOSSES	WEIGHT
0.5 mH	22 Watts	15 Lbs

NO.	CHANGE DESCRIPTION	BY	DATE	C'K'D
03	REVISED PER ECR 7175, ADDED CD	RS	8/23/10	

FILE:



UNLESS OTHERWISE SPECIFIED, DIMENSIONS ARE IN INCHES [mm] AND TOLERANCES ARE:

- DECI. FRAC.
- ANGLES DRILLED HOLES

PART NAME:	DC LINK CHOKE
DESCRIPTION:	OUTLINE DIMENSION
FINISH:	

MTE CORPORATION MENOMONEE FALLS, WISCONSIN			
CD 80RB003			REV. 03
SCALE	NTS	DATE 06/24/96	C'K'D
REF.	DR. BY	CEL	APP'D